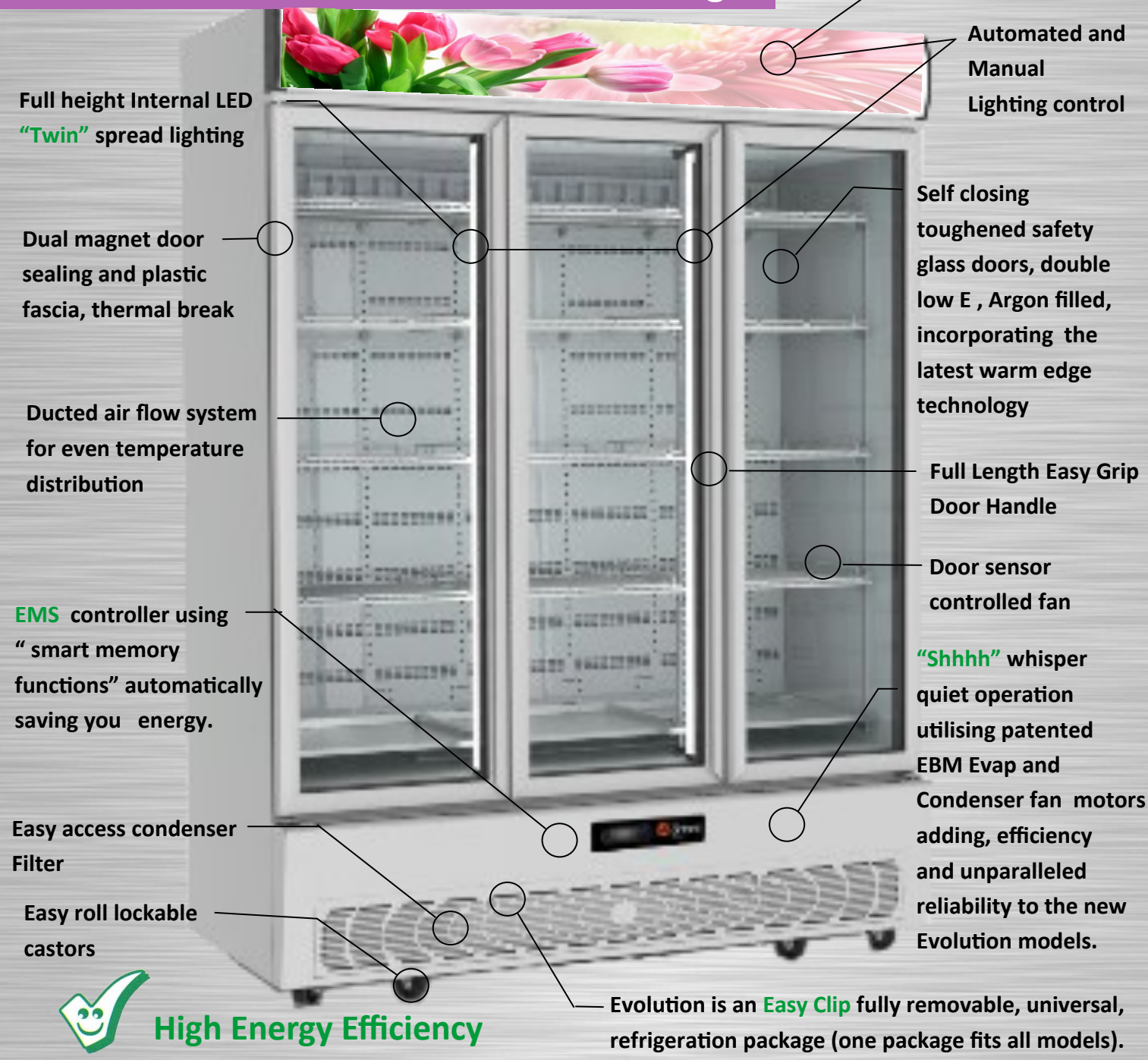


Sell Fresh Flowers with the EB Flower Range



Brilliant LED Sign Panel

Automated and Manual Lighting control

Self closing toughened safety glass doors, double low E , Argon filled, incorporating the latest warm edge technology

Full Length Easy Grip Door Handle

Door sensor controlled fan

“Shhhh” whisper quiet operation utilising patented EBM Evap and Condenser fan motors adding, efficiency and unparalleled reliability to the new Evolution models.

Evolution is an Easy Clip fully removable, universal, refrigeration package (one package fits all models).

Full height Internal LED “Twin” spread lighting

Dual magnet door sealing and plastic fascia, thermal break

Ducted air flow system for even temperature distribution

EMS controller using “smart memory functions” automatically saving you energy.

Easy access condenser Filter

Easy roll lockable castors

High Energy Efficiency

Proudly Australian Designed

by The Orford Group



IP protected by AUS DSN no 345317

📞 **1300 ORFORD (1300 673 673)**
+617 4641 7372
✉ **sales@theorfordgroup.com.au**
www.theorfordgroup.com.au

✉ **PO Box 18120**
Clifford Gardens
Queensland 4350
Australia

Features

E World class,

- Design
- Energy Efficiency
- Performance
- Quality
- Reliability

E Universal Refrigeration Package

- One package fits the entire **EB** Range
- Cassette Style: Removable without tools
- Minimal training required for

non-qualified personal to replace the package

E Energy Management System (EMS)

- Automatically learns you trading times
- Automates your energy savings
- Perishable and non-perishable mode

E Lighting Control

- Automated or manual control, you choose
- Independent switching of interior and sign lighting

E Condenser Fan Function

- Your choice of reversing or non-reversing function

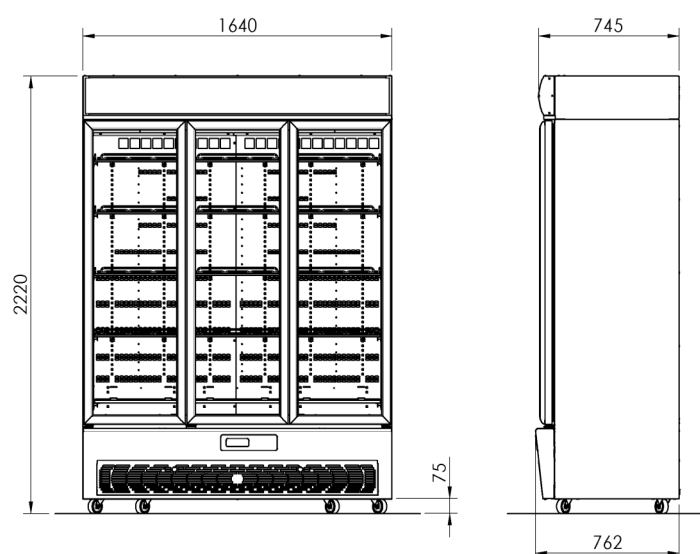
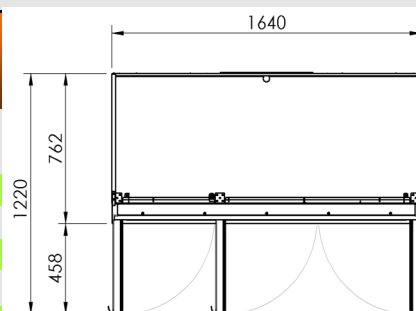
E Condenser Filter

- Easy Access filter: No tools, no covers to remove



High Energy Efficiency

EB45R-Sn	Vertical Display Refrigerator with Illuminated Advertising Sign
Specifications	
Construction	Powder Coated galvanized steel Interior / Exterior White
Capacity	1384 Litres (Gross)
Dimensions	1460W x 762D x 2220H
Weight	265 Kg
Operating Temp	4° - 8° C. (In <i>Flower</i> mode)
Ambient Temp Range	0° - 40° C.
Power Point	220 - 240v 50Hz. (Standard GPO)
Input Current	3.2 Amps
Thermometer	Digital
Shelves	12 Height Adjustable Heavy Duty PVC Coated
Shelves	3 Fixed Stainless Steel Base Shelves
Shelf Adjustment	12mm Increments
Refrigerated Shelf Area	3.38 m ²
Condensate Disposal	Automatic by energy efficient, No Cost, Hot Gas
Door	3 x Self Closing, Double Glazed Safety Glass, Double Heat reflective Low E, Warm edge
Footings	Heavy Duty Castors, Lockable Front
Interior Light	LED, Automatic and manual control
Refrigerant	R134a
Drier	Solid Core
Insulation	50mm Polyurethane, CFC, HCFC, HFC Free
Cabinet Classes	3M1, 4M1, 5M1
MEPS	Compliant (High Efficiency)
* Energy Consumption	6.03 kWh/24h
Condenser Filter	Easy front access
Illuminated Advertising Sign	200mm High, Top Mounted
Sign Illumination	LED, Automatic and manual control



* Energy Consumption measured at 25°C. Cabinet Class 3M1 as per Australian Standard AS1731